

Model : TTS300 series

TRIPOD TURNSTILE

STAINLESS STEEL TRIPOD TURNSTILE

Effective pedestrian access control for residential, industrial and commercial applications

MAG TTS300 is a series of electro mechanical turnstiles. Its unique mechanical drive design allow the arm to be pushed effortlessly and auto-rotate back without any expensive electric motor.

MAG TTS300 series can effectively control high volume human traffic (up to 25 person per minutes) while still maintaining a welcoming atmosphere. They can easily be integrated with any electronic system for ticketing, access control or time attendance.

MAG TTS300 series is suitable for indoor or shaded outdoor. They are optimized economical solution for railway, bus station, factory, colleges, commercial building, library, stadium, game park, bank and etc



TTS330
Standard turnstile
with controller



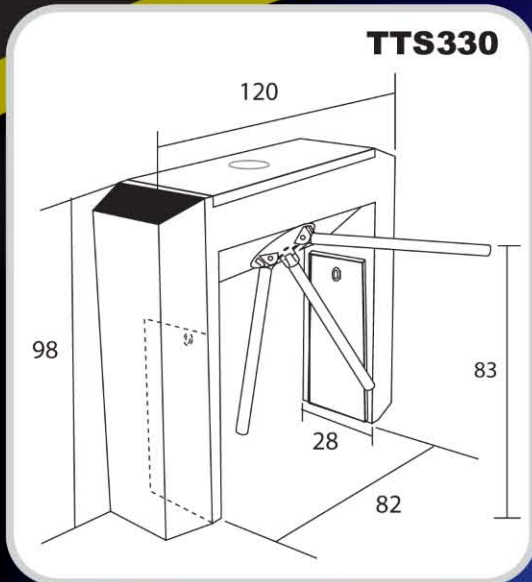
TTS310
Mini turnstile
optional controller



- ✓ Mechanical drive unit with solenoid locking mechanism eliminate the use of expensive electric motor and reduce maintenance cost.
- ✓ If arm rotated more than half, it will auto-rotate to the next idle position. If arm rotated less than half, it will auto-rotate back to the current idle position.
- ✓ Built in adjustable tensioner to control rotation force to minimize over rotation. Arm just need to be pushed lightly to rotate therefore even elderly or children are able to use the turnstile.
- ✓ Turnstile can be configured to be bi-directional or uni-directional. Housing is locked with special key to avoid tampering.

Controller support following functions:

Anti-tailgating. Smart lock mechanism effectively allow only one person to pass through at a time. Support pre-set lock time delay. During power failure, arm will drop automatically allowing free pass through. LED to indicate bi-direction and no access.



* All measurement are in cm.



Direction from Left

Default

Direction from Right



Secure



Built in acrylic plate for easier device integration



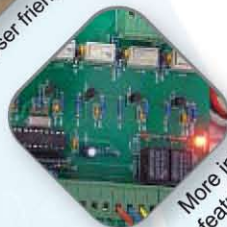
Safe, emergency escape Drop arm during power failure.



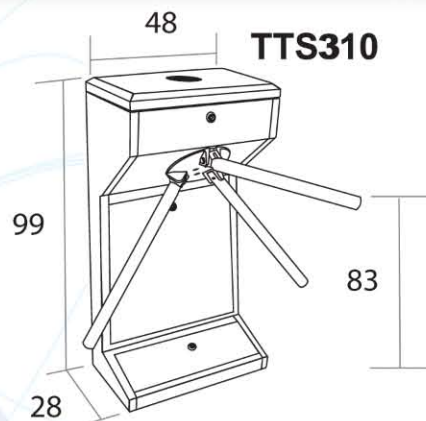
User friendly



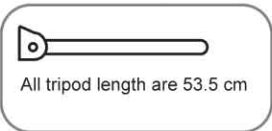
Additional storage space



More innovative features with controller



TTS310



Technical specification:

Desription	Specification
Power supply	AC230V ± 10V
Power consumption	Idle 16W Operating 38W
Response time	0.3 sec
Pass speed	25 person per min

Authorized dealer