

Access control:
Package CP1

Single entrance car park access control system

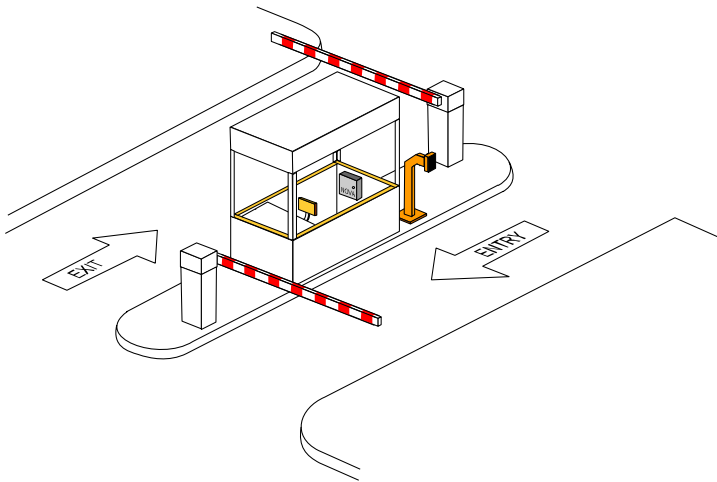
Application note

Description

This package is targeted for low budget simple car park access control. System is completely standalone by itself and does **NOT** support the following: anti-pass back, networking, PC interface, user expiry date, time zone and holidays. All verified valid user will be granted access at any time. Support up to 65,000 users. Simple maintenance and easy to use.

During entry, flash the proximity card in front of the reader (installed inside the gooseneck). Upon identity verification, the reader will trigger the barrier gate to open. Reader unit can also be used as exit reader - in this way the entrance and exit will run completely standalone by themselves and no relationship with each other. Since there are no PC software to record the user profile, management are suggested to keep a hardcopy records of all the users and their assigned card number for future maintenance.

Installation diagram

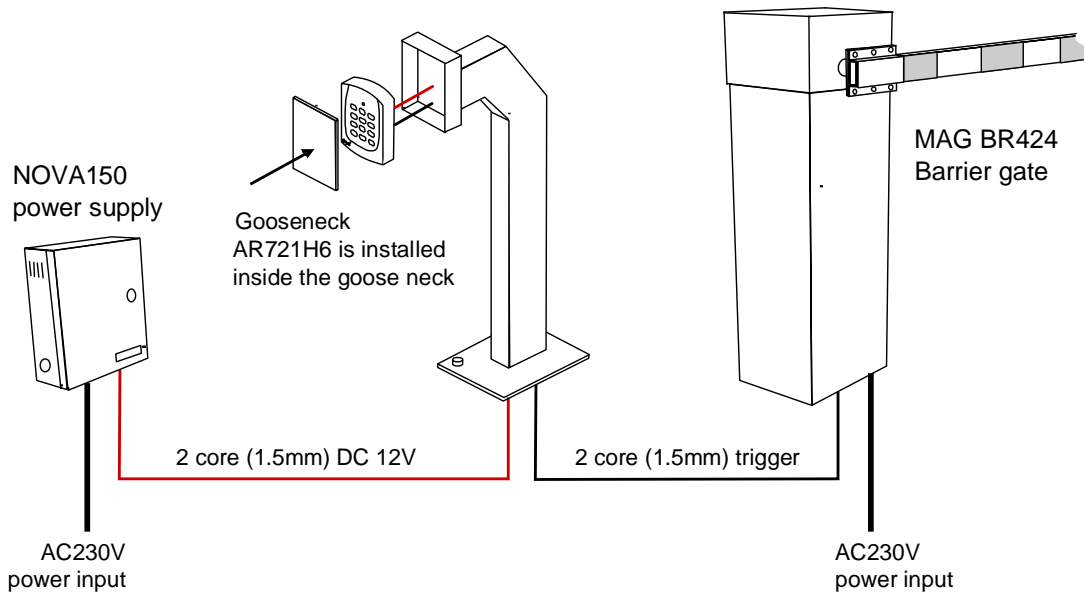


Ordering information

Ordering code: CP1

Qty	Parts
1 pcs	Soyal AR721H6 keypad reader
1 pcs	Gooseneck (w/ epoxy painting)
1 pcs	NOVA150 power supply with backup battery DC12V 7Ah
10 pcs	Soyal AR2561RL 1.8 mm card

** Guaranteed maximum compatibility with MAGBR424 barrier gate system.



** It is suggested to add Varistor 17V at the beginning and ending of all wiring to protect equipment from being damaged by electrical surge. Strongly recommended to add SP3 data and power line lightning protector for protection from lightning.

** AR721H6 can be upgraded to AR721HV3 (only 1024 users) and add AR801 CM to support PC interface.

© COPYRIGHT 24 Aug 2005. This documentation served as a reference only. It is subject to change without further notice. All the diagrams and information in this documentation may not be duplicated or modified in any form without the written approval from the management.